



Features

- CPU: 6U AMD Geode LX800 based processor module
- RAM: 256 MB, soldered
- Flash-drive: 64 MB, soldered
- Connector for Compact Flash
- Watchdog timer
- RTC
- 2×CAN, galvanically isolated; 8×RS-232; Ethernet 10/100 Mb/s, galvanically isolated; 2×USB; SVGA; PS/2; 16x digital input channels; 8x digital output channels
- Operating temperature range: -40°C to +85°C
- Supported OS: FREEDOS 6.22, Windows XPe, CE5.0, Linux 2.6, QNX 6.4
- EN50155 compliant

Overview

6U AMD Geode LX800 based BK01 processor module is intended for transport industry and applied as a part of micro-processor-based system for railway equipment control. The module can detect and control multiple processes and inspect the electric locomotives equipment. The structure of the device enables to flexibly adapt it to customer's requirements.

BK01 – rugged computer from Fastwel is fully configurable and can be customized according to the specific demands of your application.

Technical Specifications

System

- CPU: 6U AMD Geode LX800 based processor module
- RAM: 256 MB, soldered
- Flash-drive: 64 MB, soldered
- Connector for Compact Flash
- SVGA
 - 2D video accelerator;
 - Video memory capacity: up to 60 MB.
- Hardware watchdog timer
- Real-time clock (RTC)

Supported OS:

- FDOS 6.22
- Windows XPe, CE5.0
- Linux 2.6
- QNX 6.4

Interfaces

- 2×CAN, galvanically isolated
- 8×RS-232
- Ethernet 10/100 Mb/s, galvanically isolated
- 2×USB
- SVGA
- PS/2
- 16×digital input channels
- 8×digital output channels

Mechanical

- Resistance to vibration: 5g, in the frequency range 5–500 Hz
- Resistance to multiple shocks: 50G
- Dimensions: 233×160×50 mm

Power

- Input supplying voltage: 5 V DC
- Maximum power consumption: no more than 10 W in operating mode

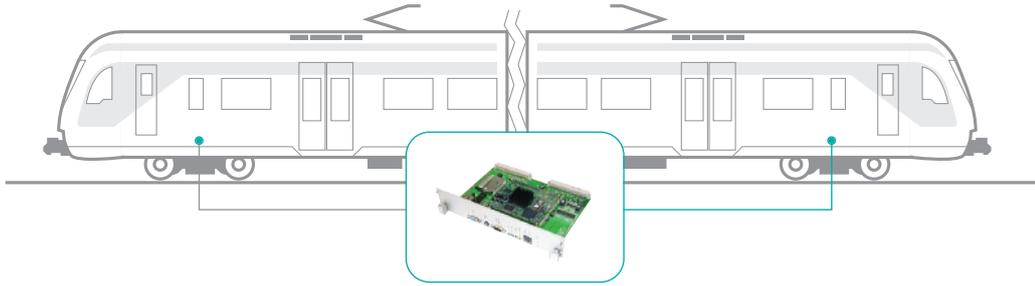
Environmental Conditions

- Operating temperature range: -40°C to +85°C
- Humidity resistance

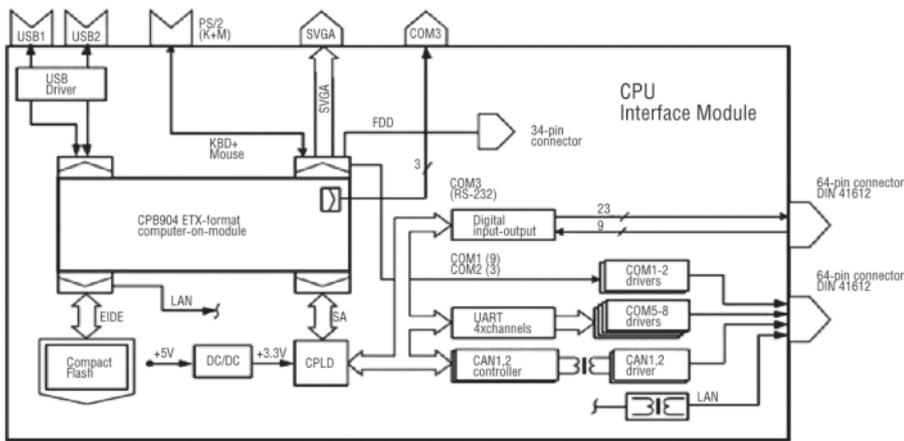
BK01

6U AMD Geode LX800 based processor module

Application



Board Layout



Ordering Information

BK01 Configuration

Versions

BK01 AMD Geode LX800, 2xCAN, 8xCOM, LAN, 2xUSB, SVGA, PS/2

Delivery checklist:

1. BK01 CPU board
2. Package

BK01— rugged computer from Fastwel is fully configurable and can be customized according to the specific demands of your application.

Corporate Offices

FASTWEL GROUP Co. Ltd

108 Profsoyuznaya str.
Moscow, Russia 117437
Tel: +7 (495) 232-1681
Fax: +7 (495) 232-1654
E-mail: info@fastwel.com
Web: www.fastwel.com

FASTWEL Corporation US

Fastwel Corporation US
6108 Avenida Encinas,
Suite B, Carlsbad,
CA 92011.
Phone: 858-488-3663
E-mail: info@fastwel.com



ISO 9001:2008
EC.C.0.02.01.000823-12

Ver.1.12.2015

Product specifications are subject to change without notice

READY FOR



RoHS

Fastwel

Fastwel

Fastwel